



Mobile Scissor Lifter

BY-1200A

User Manual

INTRODUCTION

Congratulations on your purchase of this Hydraulic Scissor Lift. This model is the result of our vast experience in the production of fine lifting vehicles machines. It represents the high degree of craftsmanship and reliability that have made us a leader in these fields.

It is a wheels free hydraulic lift bridge with a lower profile, designed and built to meet the requirement of the operator changing tires in the tire shop and for minor mechanical jobs (oil change, changing brake pads etc.) as it reaches a lifting height of around one meter.

This manual will give you an understanding of the operation, inspection, and basic maintenance of this lift. If you have any questions concerning the operation or maintenance of your lift, please consult the dealer.

The design and manufacture of this lift fully comply with the lifting standards of CE. We have met these standards without reducing the performance or economy of operation of the lift. To maintain these high standards, it is important that you and your dealer pay close attention to the recommended maintenance schedules and operating instructions contained within this manual.

TABLE OF CONTENTS

IMPORTANT MANUAL INFORMATION.....	3
SAFETY INFORMATION.....	4
TRANSPORT & UNPACKING.....	4
SPECIFICATIONS.....	5
WORKING PLACE.....	7
WORKPLACE REQUIREMENTS.....	7
DESCRIPTION.....	8
INSTALLATION.....	10
OPERATION.....	11
OPERATION.....	12
STORING.....	13
ELECTRIC SYSTEM.....	13
HYDRAULIC SYSTEM.....	14
STRUCTURE DIAGRAM.....	15
PACKING LIST.....	16

IMPORTANT MANUAL INFORMATION

Particularly important information is distinguished in this manual by the following notations:



The Safety Alert Symbol means ATTENTION !
BECOME ALERT! YOUR SAFETY IS INVOLVED!



Failure to follow WARNING instructions could result in severe injury or death to the lift operator, a bystander or a person inspecting or repairing the lift.

CAUTION

A CAUTION indicates special precautions that must be taken to avoid damage to the lift.

NOTE

A NOTE provides key information to make procedures easier or clearer. and also some important things.

NOTE:

- This manual should be considered a permanent part of this lift and should remain with it even if the lift is subsequently sold.
 - We continually seek advancements in product design and quality. Therefore, while this manual contains the most current product information available at the time of printing, there may be minor discrepancies between your lift and this manual. If you have any questions concerning this manual, please consult your dealer.
-

SAFETY INFORMATION



THIS SCISSOR LIFT IS ONE KIND OF THE LIFTING EQUIPMENTS. ITS SAFE USE AND OPERATION ARE DEPENDENT UPON THE USE OF PROPER OPERATION TECHNIQUES AS WELL AS THE EXPERTISE OF THE OPERATOR. EVERY OPERATOR SHOULD KNOW THE FOLLOWING REQUIREMENTS BEFORE OPERATION THIS LIFT.

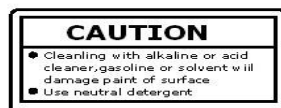
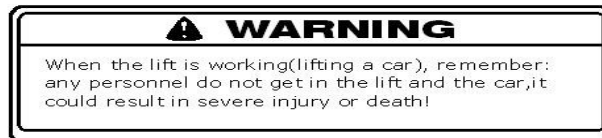
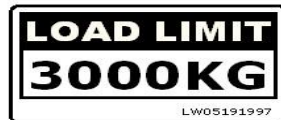
HE OR SHE SHOULD:

- OBTAIN THOROUGH INSTRUCTIONS FROM A COMPETENT SOURCE ON ALL ASPECTS OF LIFT OPERATION.
- OBSERVE THE WARNINGS AND MAINTENANCE REQUIREMENTS IN THE OWNER'S MANUAL.
- OBTAIN QUALIFIED TRAINING IN SAFE AND PROPER OPERATION TECHNIQUES.
- OBTAIN PROFESSIONAL TECHNICAL SERVICE AS INDICATED BY THE OWNER'S MANUAL AND/OR WHEN MADE NECESSARY BY MECHANICAL CONDITIONS.



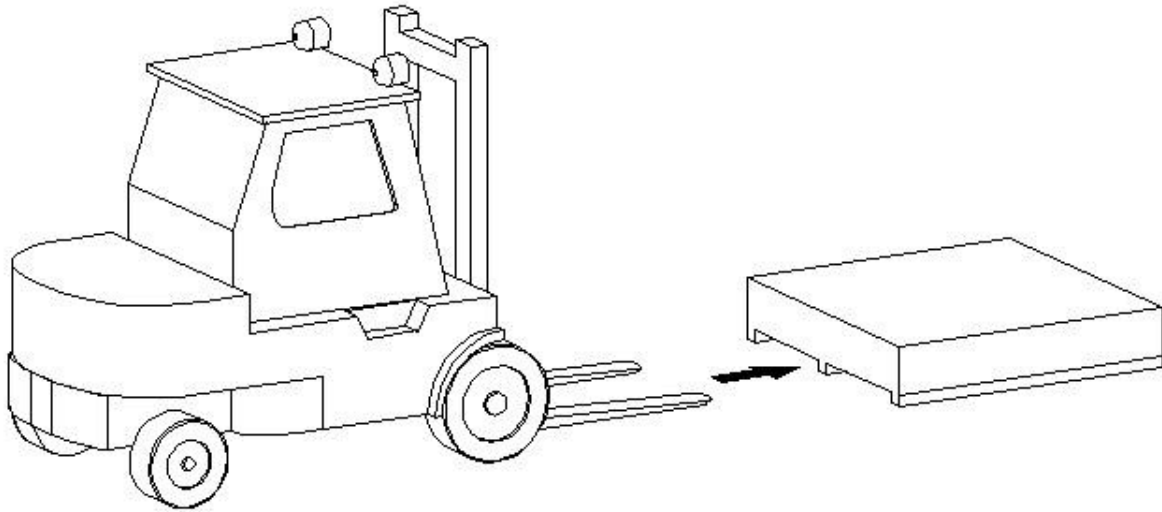
SAFETY INFORMATION

Please read the following important labels carefully before operating this lift.



TRANSPORT & UNPACKING

Depending on the standard request, this lift and the hydraulic pump are protected by two cartons with pallets. And the machine must be handled with a forklift with the forks positioned as shown in the figure.



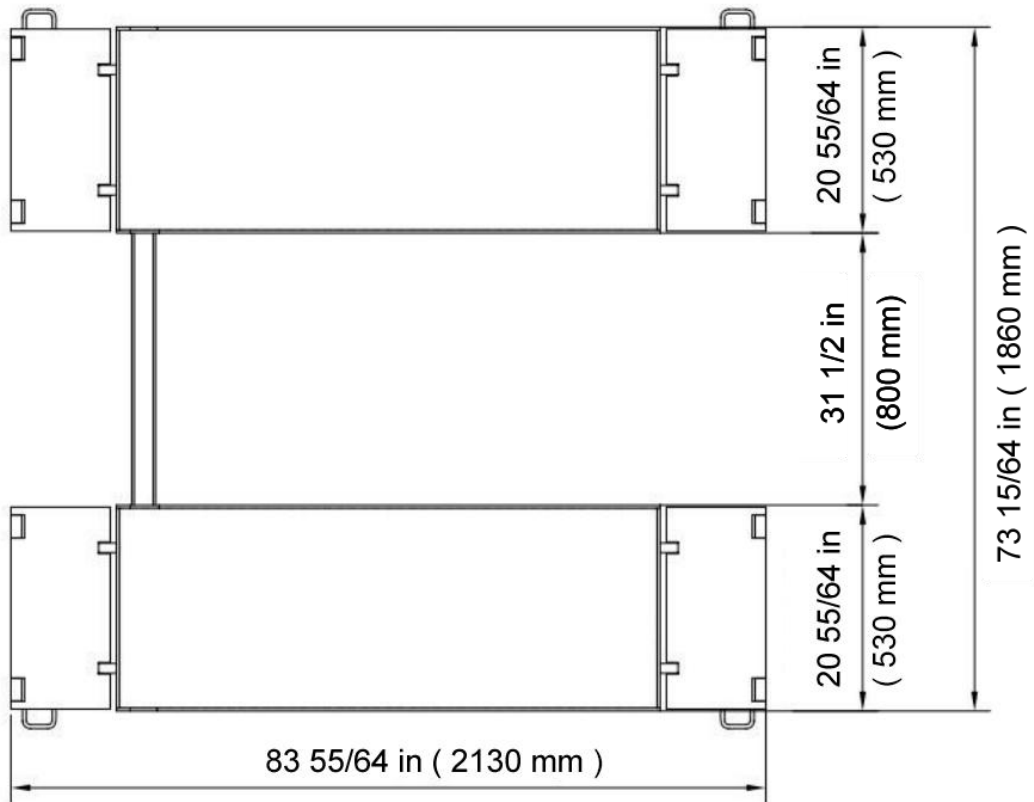
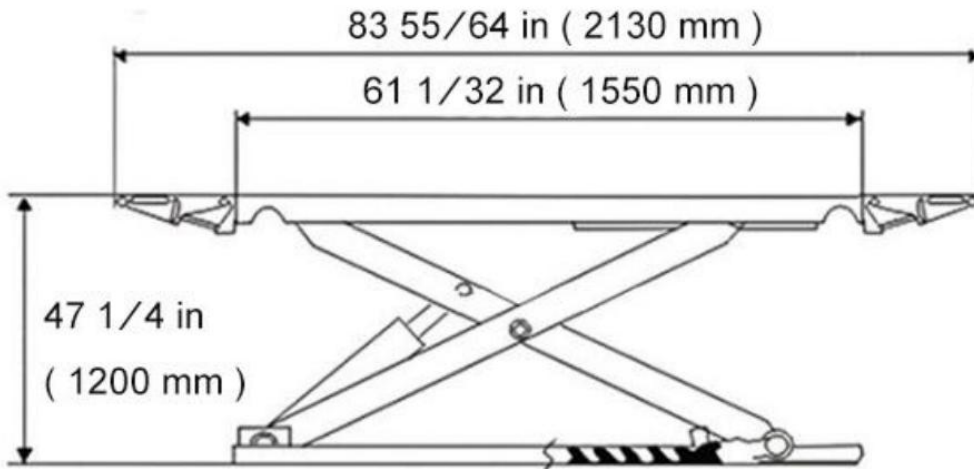
CAUTION Once the packing material has been removed, check the machine for any signs of damage.

WARNING Keep the packing materials out of the reach of children as they can be a source of danger.

Keep the packing for possible future transport.

SPECIFICATIONS

Motor	110 VAC at 60 Hz, 1 Ph, 2.95 hp (2.2 kW)
Lifting Capacity	6614 lbs (3000 kg)
Max Lifting Height	47 1/4 in (1200 mm)
Lowered Height	4 21/64 in (110 mm)
Lifting Time	30 seconds
Air Supply	87 - 116 psi (6 - 8 bar)
Single Platform Length	61 1/32 in (1550 mm)
Single Platform Width	20 55/64 in (530 mm)
Width between Platforms	32 1/2 in (800 mm)
Overall Length (includes Ramps)	83 55/64 in (2130 mm)
Overall Width	75 15/64 in (1860 mm)
Product Weight	1190.5 lbs (540 kg)



WORKING PLACE

Choose the place the machine is to be installed in compliance with current work place safety regulations. The floor should not be broken or uneven so that the machine will be stable and the platform can move freely.

If the installation is out door, it must be protected by some kind of roofing against rain.

The following work environment conditions are applicable

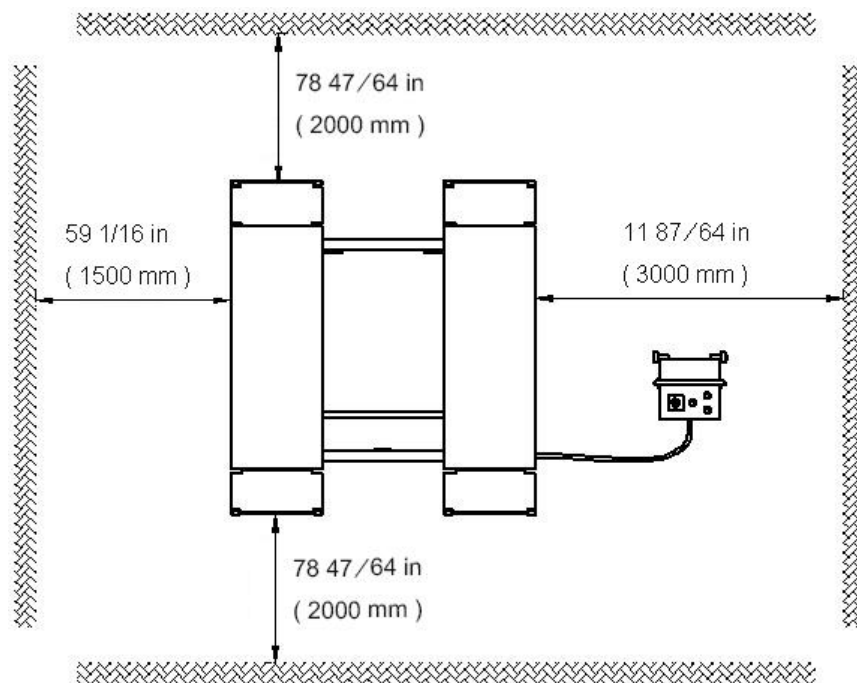
- Relative humidity: from 30-95% without condensation.
- Temperature: 5-55°C.



The machine must not be operated in explosive atmospheres.

WORKPLACE REQUIREMENTS

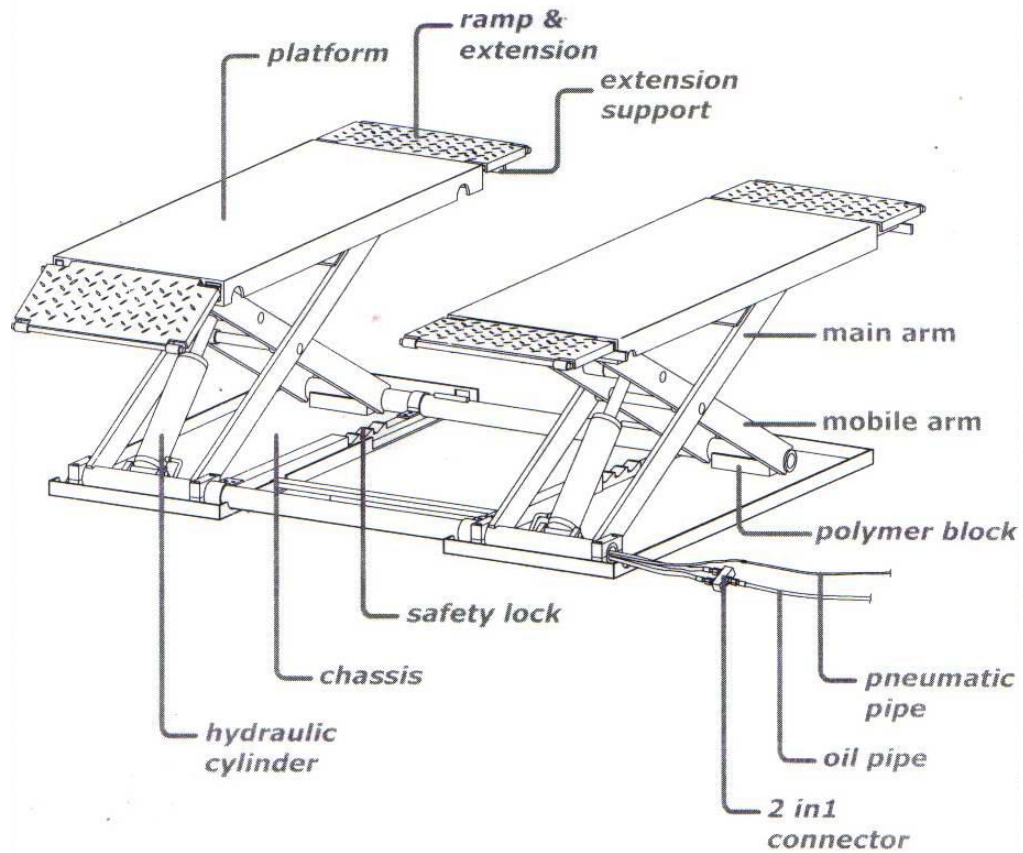
Maximum machine space requirements are 3200X2000mm with a minimum distance from walls as shown in the diagram.



These measurements are also the machine working range. Persons other than specially trained and authorized operators are expressly forbidden to enter this area,

DESCRIPTION

Lift



NOTE

It is main parts figure above. More detailed components and assembly please see exploded view

DESCRIPTION



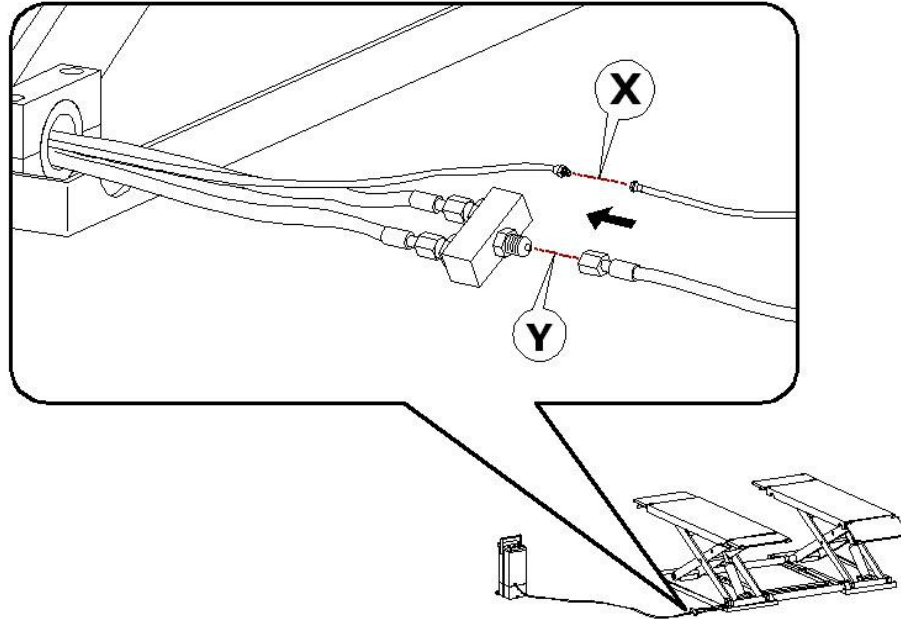
NOTE

It is main parts figure above. More detailed components and assembly please see exploded view

INSTALLATION

Connecting pipes

There are two pipes from the hydraulic pump as shown in the figure. (X) is a pneumatic pipe and used for the safety lock. (Y) is a hydraulic oil pipe and used for the hydraulic cylinders.

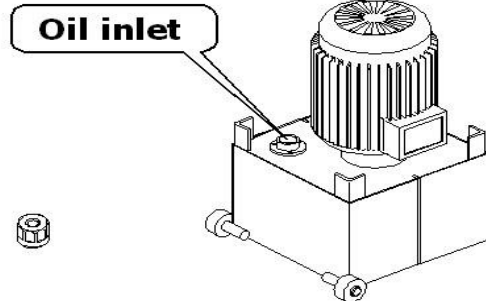


Enter hydraulic oil

Remove the motor box off, and then turn the oil cap anti-clockwise to open the oil inlet. Fill in the hydraulic oil 30# from the oil inlet as shown in the figure.

CAUTION

Use only given and eligible hydraulic oil, any other oil will cause severe damage to internal parts, such as the gear-pump, pipes and cylinders.



NOTE

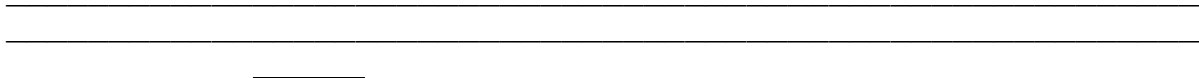
- Make sure that there is sufficient oil in the tank when the machine working
- Do not overfill the oil tank, otherwise it may overflow when the oil warms up and expands.
- Make sure that the oil tank cap is properly closed before working.

OPERATION

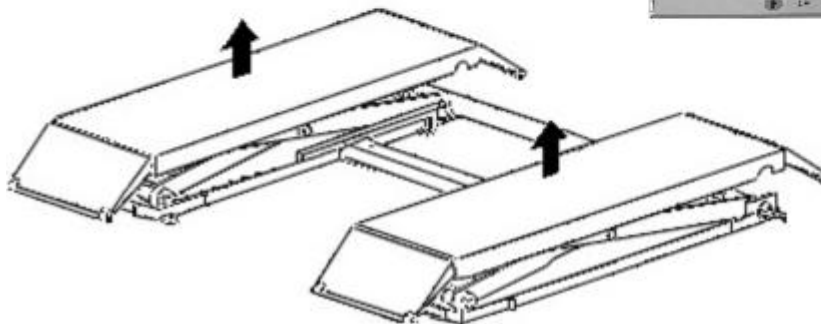
During all operations, keep hands and other parts of the body as far as possible from moving parts of the machine. Necklace, bracelets and too large clothes, can be dangerous for the operator.



When the power supplied, turn the *POWER SWITCH* clockwise while the machine is on standby and an *INDICATOR* will show.



Press the UP button,
the lift will go up.



 **WARNING**

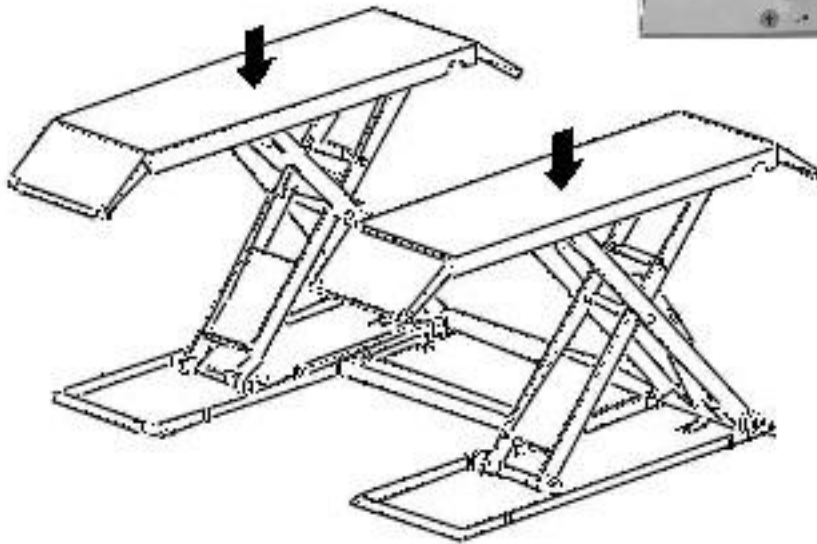
When the lift is working (lifting a car), remember:
Any personnel do not get in the lift and the car, it could result in severe injury or death!

OPERATION



During all operations, keep hands and other parts of the body as far as possible from moving parts of the machine. Necklace, bracelets and too large clothes, can be dangerous for the operator.

Press the DOWN Button, the platform Will go down.



When the lift is working (lifting a car), remember:
Any personnel do not get in the lift and the car, it could result in severe injury or death!

STORING

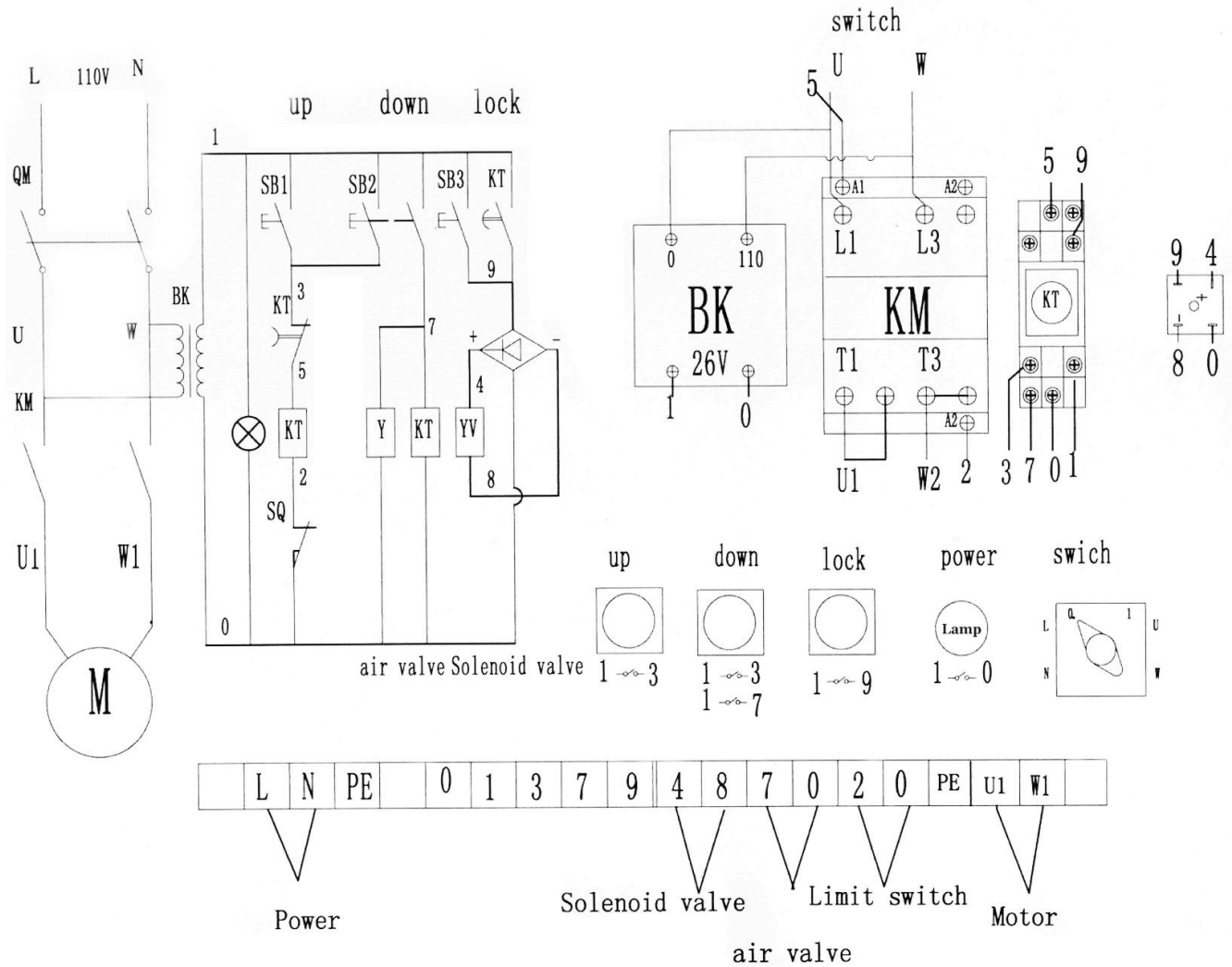
If the machine as to be stored for a long time you have to :

- Go down the platforms and no heavy object on them.
- Disconnect the machine from all power sources. 96
- Grease all the parts that could be damaged if they dry out.
- Empty hydraulic oil reservoir and wrap the machine in a sheet of protective plastic to prevent dust from reaching the internal working parts.

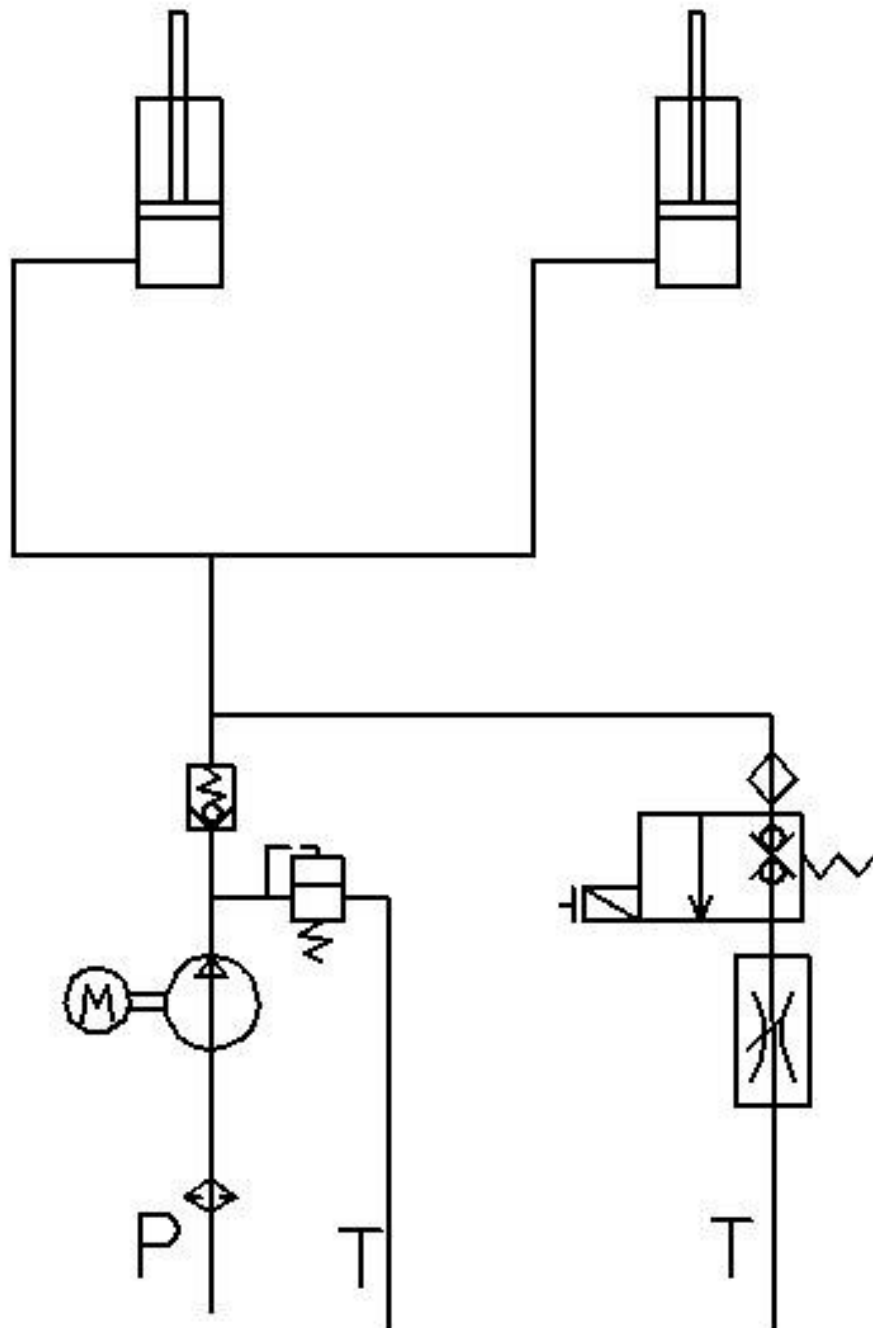
If the machine as to working again after a long storing period, it is necessary to:

- Put the oil into the reservoir again.
- Restore the electric connection.

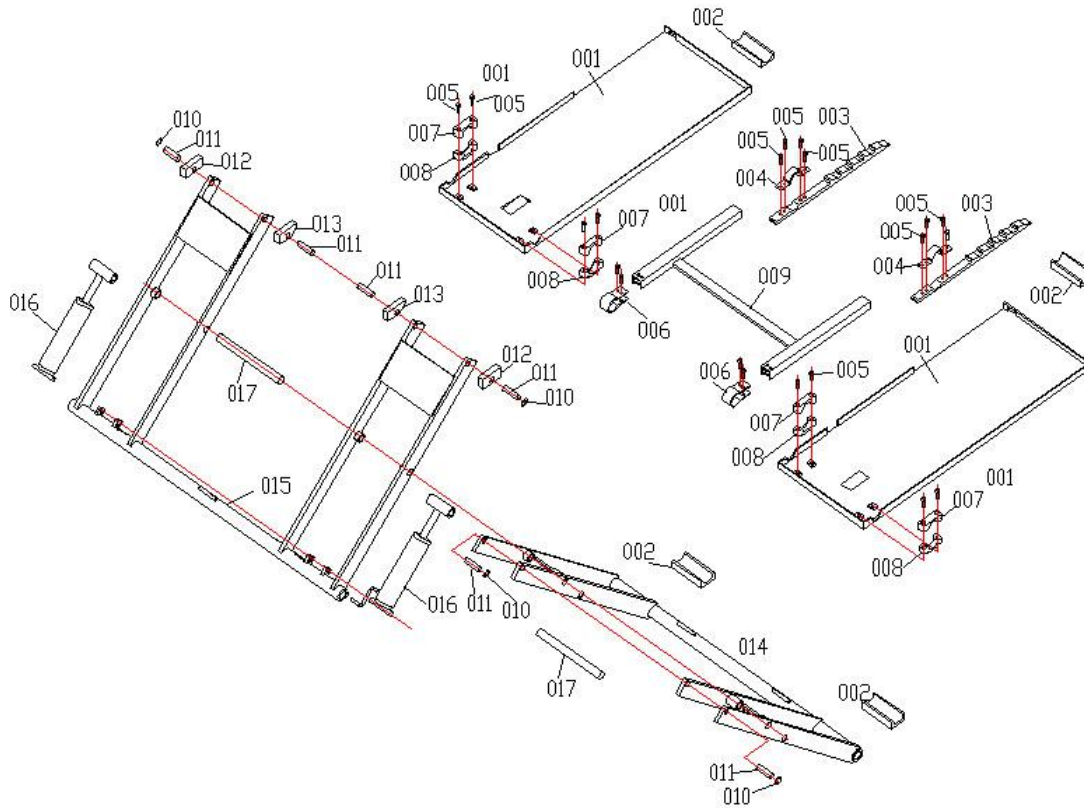
ELECTRIC SYSTEM



HYDRAULIC SYSTEM



STRUCTURE DIAGRAM



Serial No.	Code	Name	Serial No.	Code	Name
1	001	base	15	015	Idle arm
2	002	Slide block	16	016	Oil cylinder
3	003	lock	17	017	shaft
4	004	Lock clamp	18	018	ramp
5	005	bolt	19	019	Support
6	006	Lock bend	20	020	platform
7	007	Up block	21	021	
8	008	Down block	22	022	
9	009	Lock cover	23	023	
10	010	waika	24	024	
11	011	shaft	25	025	
12	012	Slide block a	26	026	
13	013	Slide block b	27	027	
14	014	Drive arm	28	028	

Packing list

Mobile scissor lifter

Serial number	Name	Quantity
1	A small round	3
2	Small round handle	1
3	Lead bridge plate	4
4	The rubber piece	4
5	Expansion screws	6
6	The lifting machine	1
7	Control cabinet	1
8	The trachea	2
9	The tubing	2
10	The instructions	1